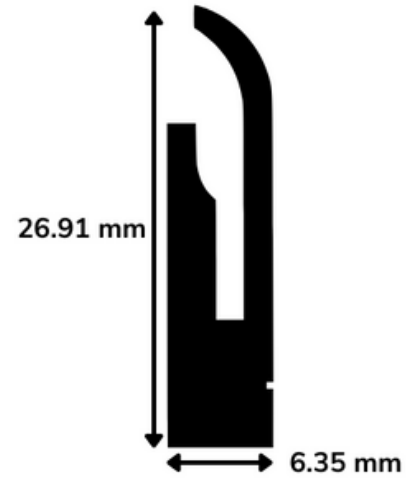


# LED SHELF DISPLAY EXTRUSION

Z001



Elevate your retail lighting with Zortech LED's custom Z001 display shelf aluminum extrusion. Seamlessly integrate LED strips for a stylish and practical lighting solution that adds both ambiance and visibility to shelving displays.

## Features

- 6.35mm wide, 26.9mm deep
- Anodized aluminum finish
- Powder coating available for an additional cost
- Best for retail store shelving lighting (Front Mount)
- Suitable with COB Side View LED Strips
- Mounting Options: Plastic or Metal Clips, Magnets, Swivel Clips, VHB, and Suspended Steel Wire

## Finish Options



## LED Engine Compatibility

Compatible with COB Side View LED strips up to **12mm** wide

