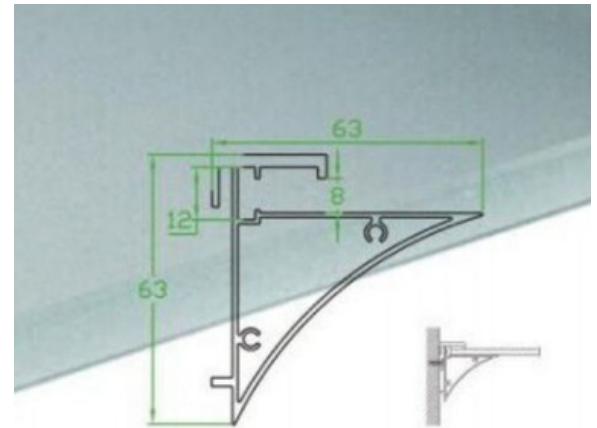
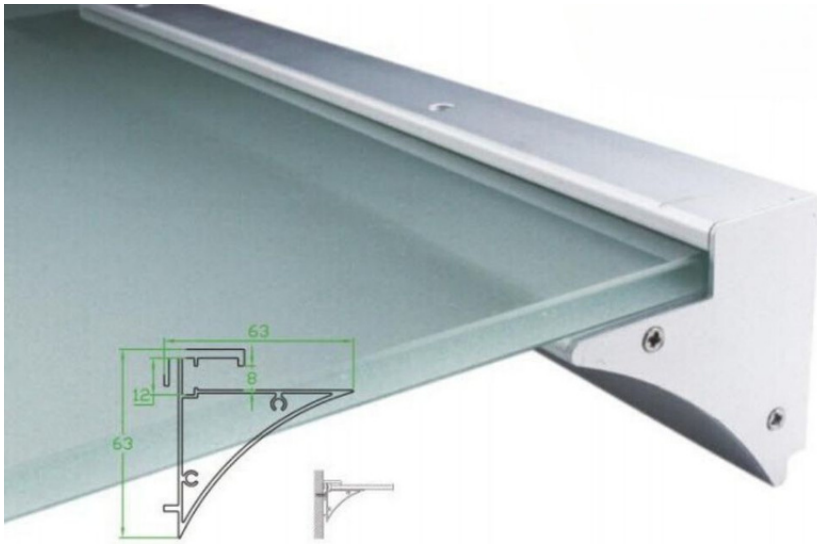


LED DISPLAY SHELF EXTRUSION

AL38



Highlight your displays with Zortech LED's AL38 display shelf aluminum extrusion. Seamlessly integrate LED strips for an elegant lighting solution that adds both emphasis and style to your showcased items.

Features

- 63mm wide, 63mm deep
- Anodized aluminum finish
- Powder coating available for an additional cost
- Best for retail display shelving and shelving lighting
- Suitable with most flexible or hard LED Strips
- Available with clear plexiglass 8mm board
- Mounting Options: Plastic or Metal Clips, Magnets, Swivel Clips, VHB, and Suspended Steel Wire

Lens Options

LED Engine Compatibility

Compatible with LED strips up to 12mm wide

Mounting Options

