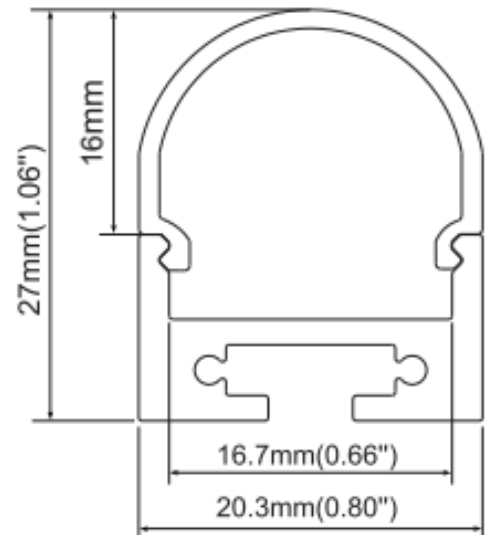


LED DOMED SUSPENDED EXTRUSION

AL27



Elevate your lighting aesthetics with Zortech LED's AL27 domed suspended aluminum extrusion. Seamlessly blend LED strips to create a sleek and captivating suspended lighting solution that adds both style and functionality to any space.

Features

- 20.3mm wide, 27mm deep
- Anodized aluminum finish
- Powder coating available for an additional cost
- Best for overhead, task lighting, cove lighting, suspended or surface mount
- Suitable with most flexible or hard LED Strips
- Available with Opal Matte or Semi-Clear cover
- Mounting Options: Plastic or Metal Clips, Magnets, Swivel Clips, VHB, and Suspended Steel Wire

Lens Options



LED Engine Compatibility

Compatible with LED strips up to **14mm** wide

Mounting Options

