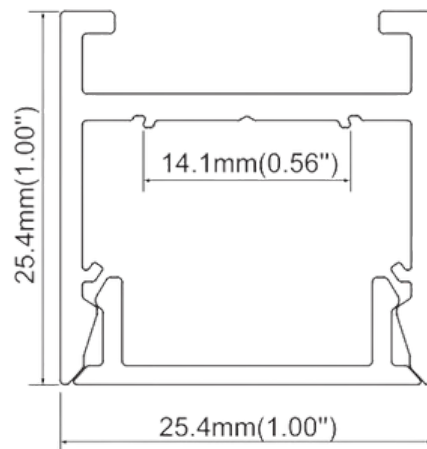


# LED SUSPENDED CIRCLE EXTRUSION

AL25C



Elevate your retail lighting with Zortech LED's AL25C suspended circle aluminum extrusion. Seamlessly integrate LED strips for a stylish and practical lighting solution that adds both ambiance and elegant finishes in a ring chandelier.

## Features

- 25.4mm wide, 25.4mm deep
- 600mm/900mm/1200mm/1800mm diameter options available
- Anodized aluminum or black finish
- Powder coating available for an additional cost
- Best for accent and chandelier lighting
- Suitable with most flexible LED Strips
- Available with Opal Matte cover
- Mounting Options: Plastic or Metal Clips, Magnets, Swivel Clips, VHB, and Suspended Steel Wire

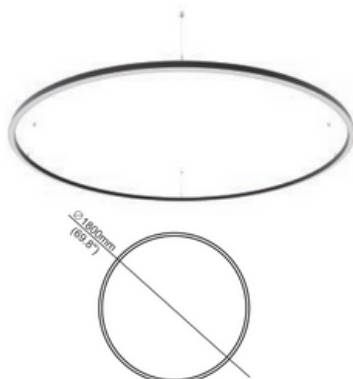
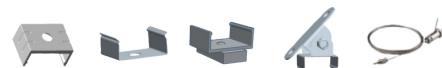
## Finish Options



## LED Engine Compatibility

Compatible with LED strips up to 14mm wide

## Mounting Options



# LED SUSPENDED CIRCLE EXTRUSION

AL25C

 5 Year Warranty



Step 01:  
Slide the U shape hanging clip into the profile



Step 02:  
Connecting the curved profile by connector



Step 03:  
Stick the led board inside the profile(down light)



Step 04:  
Press the curved cover into the profile(down light)



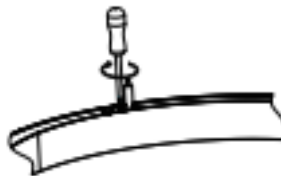
Step 05:  
Stick the led board inside the profile(up light)



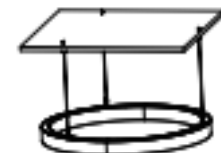
Step 06:  
Lock the U shape clip



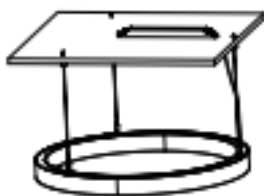
Step 07:  
Press the curved cover(after drilling the hole) into the profile(up light)



Step 08:  
Fix the U shape clip on suitable position by screws



Step 09:  
Hang the circle by the steel wire



Step 10:  
Connecting the driver

