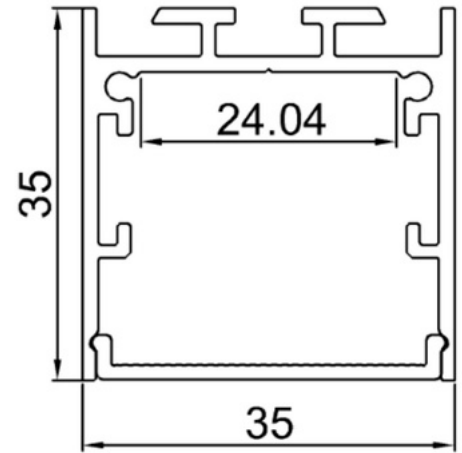
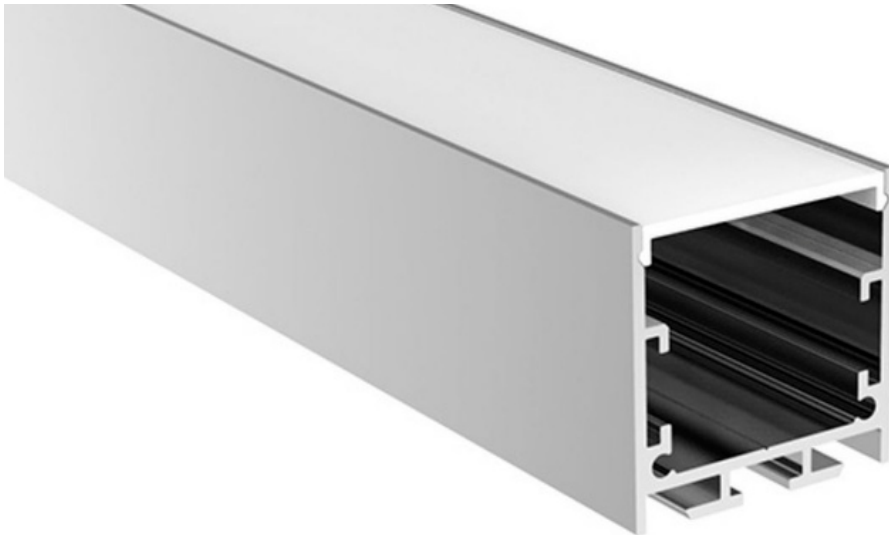


LED LOW CEILING EXTRUSION

AL18



Transform low ceilings with Zortech LED's AL18 low ceiling aluminum extrusion. Seamlessly incorporate LED strips for a modern and efficient lighting solution that adds both style and functionality to spaces with limited height.

Features

- 35mm wide, 35mm deep
- Anodized aluminum finish
- Powder coating available for an additional cost
- Best for office, residential, custom feature lighting
- Various connectors available
- Suitable with most flexible or hard LED Strips
- Available with Opal Matte, Semi-Clear, or Clear cover
- Mounting Options: Plastic or Metal Clips, Magnets, Swivel Clips, VHB, and Suspended Steel Wire

Lens Options



LED Engine Compatibility

Compatible with LED strips up to **14mm** wide

Mounting Options

