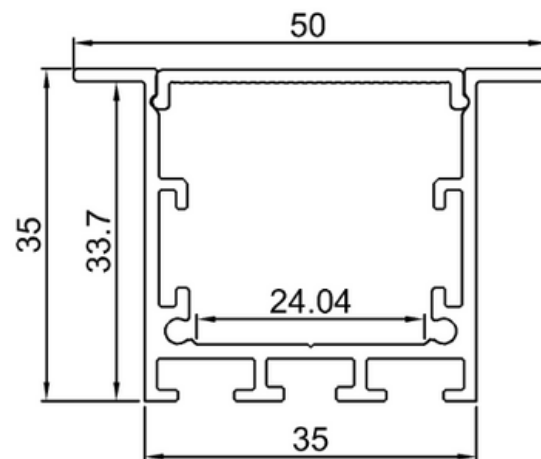
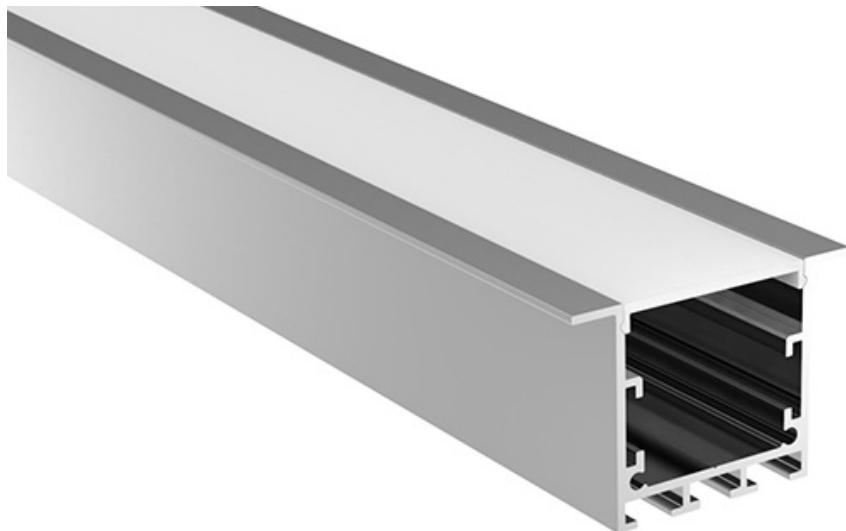


LED DEEP RECESSED CEILING EXTRUSION

AL17



Transform ceilings with Zortech LED's AL17 deep recessed ceiling aluminum extrusion. Seamlessly incorporate LED strips with a diffused cover, which allows light to shine through whilst dispersing the view of individual diodes on the LED tape inside. This gives your installation a more finished look.

Features

- 50mm wide from top, 35mm deep
- Anodized aluminum finish
- Powder coating available for an additional cost
- Best for office, residential, custom feature lighting
- Various connectors available
- Suitable with most flexible or hard LED Strips
- Available with Opal Matte, Semi-Clear, or Clear cover
- Mounting Options: Plastic or Metal Clips, Magnets, Swivel Clips, VHB, and Suspended Steel Wire

Lens Options



LED Engine Compatibility

Compatible with LED strips up to **14mm** wide

Mounting Options

