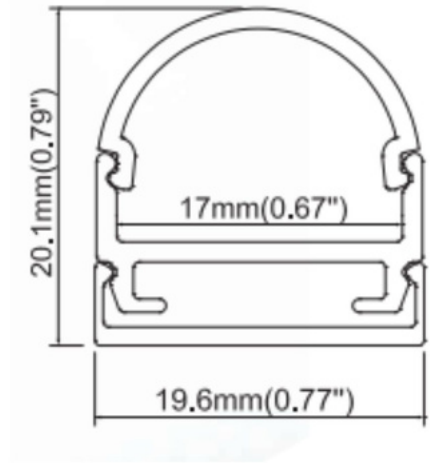


# LED HALF MOON DOMED EXTRUSION

AL10



Elevate your lighting design with Zortech LED's AL10 half moon aluminum extrusion. Effortlessly blend LED strips to create a stylish and captivating lighting solution that adds a touch of intrigue to your space.

## Features

- 19.7mm wide, 20.2mm deep
- Anodized aluminum finish
- Powder coating available for an additional cost
- Best for accent lighting, cabinet lighting, and display lighting
- Suitable with most flexible or hard LED Strips
- Available with Opal Matte or Semi-Clear cover
- Mounting Options: Plastic or Metal Clips, Magnets, Swivel Clips, VHB, and Suspended Steel Wire

## Lens Options



## LED Engine Compatibility

Compatible with LED strips up to **14mm** wide

## Mounting Options

