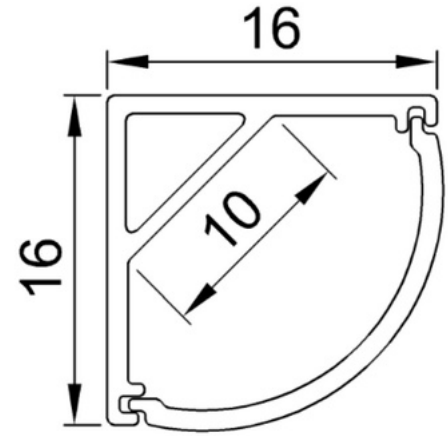


LED 45° SLIM CORNER EXTRUSION

AL06



Elevate your lighting design with Zortech LED's AL06 slim 45-degree corner aluminium extrusion. Seamlessly integrate LED strips to create a sleek and stylish lighting solution that adds a touch of modernity to any corner.

Features

- 16mm wide, 16mm deep
- Anodized Aluminium finish
- Powder coating available for an additional cost
- Best for retail shelving, cabinetwork, cove lighting, and jewelry cases
- Suitable with most flexible or hard LED Strips
- Available with Opal Matte, Semi-Clear, or Clear cover
- Mounting Options: Plastic or Metal Clips, Magnets, Swivel Clips, VHB, and Suspended Steel Wire

Lens Options



LED Engine Compatibility

Compatible with LED strips up to **10mm** wide

Mounting Options

