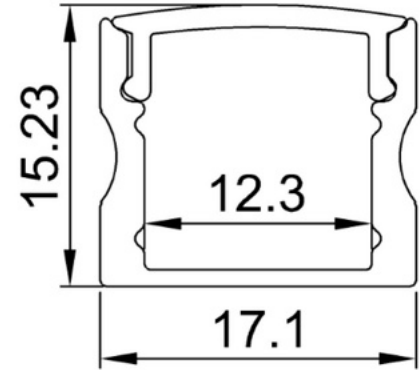


LED SQUARE EXTRUSION

AL04



Elevate your lighting aesthetics with Zortech LED's AL04 square aluminum extrusion. This contemporary solution seamlessly incorporates LED strips, bringing a touch of sophistication and versatility to your space.

Features

- 17.1mm wide, 15.3mm deep
- Anodized aluminum finish
- Powder coating available for an additional cost
- Best for shelving, cabinetwork, cove lighting, and jewelry cases
- Suitable with most flexible or hard LED Strips
- Available with Opal Matte, Semi-Clear, or Clear cover
- Mounting Options: Plastic or Metal Clips, Magnets, Swivel Clips, VHB, and Suspended Steel Wire

Lens Options



LED Engine Compatibility

Compatible with LED strips up to 12mm wide

Mounting Options

