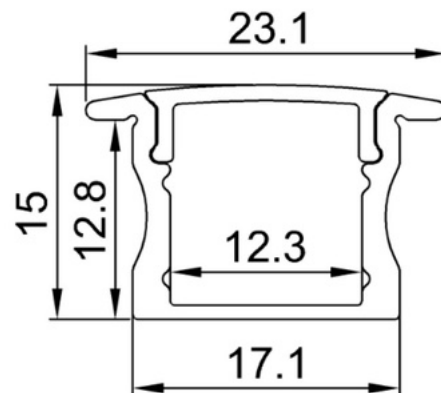


LED RECESSED EXTRUSION

AL03



Discover the future of lighting with Zortech LED's AL03 recessed aluminum extrusion, a sleek and advanced solution designed to elegantly integrate LED strips, creating a seamless blend of modern design and captivating illumination.

Features

- 23.1mm wide from top, 15mm deep
- Anodized aluminum finish
- Powder coating available for an additional cost
- Best for cabinets, shelving, walls, ideal for smooth clean lines
- Suitable with most flexible or hard LED Strips
- Available with Opal Matte, Semi-Clear, or Clear cover
- Mounting Options: Plastic or Metal Clips, Magnets, Swivel Clips, VHB, and Suspended Steel Wire

Lens Options



LED Engine Compatibility

Compatible with LED strips up to 12mm wide

Mounting Options

