

Motion Sensor

Specification Sheet



130006

APPLICATIONS

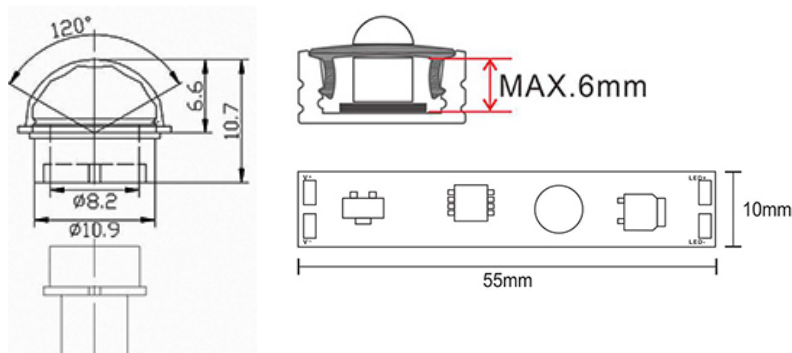
- General lighting
- Retail
- Commercial
- Residential
- Hospitals
- Office and more!

FEATURES

- PIR sensor switch 130006 can be assembled into lighting fixtures, so the lighting fixture can automatically turn on when any part of human body is approaching within 2 meters from the sensor.
- The lighting fixture equipped with this PIR sensor will stay on if the human body stays within 2 meters from the sensor.
- It will turn off in 40 seconds after human body move away more than 2 meters.

SPECIFICATIONS

Size: 55x10mm
 Colour: White, Circuit Board Base
 Material: Plastic sensor cover
 Luminous Flux: 4400 lms
 Lifespan: 50,000 hours
 Detection Range: <2m
 Delay Time: about 40 seconds
 Remark: Direct replacement



BENEFITS

- 12/24 VDC Motion Sensor, is compatible with most extrusion profiles.
- Automatically ON/OFF

POWER ENVIRONMENT

Input Voltage: 12VDC/24VDC
 Max. Current: 2.5 A
 Total Power Consumption: 30W for 12V,
 60W for 24V

WORKING ENVIRONMENT

Temperature: -30°C to +40°C
 Indoor/Outdoor, Covered

